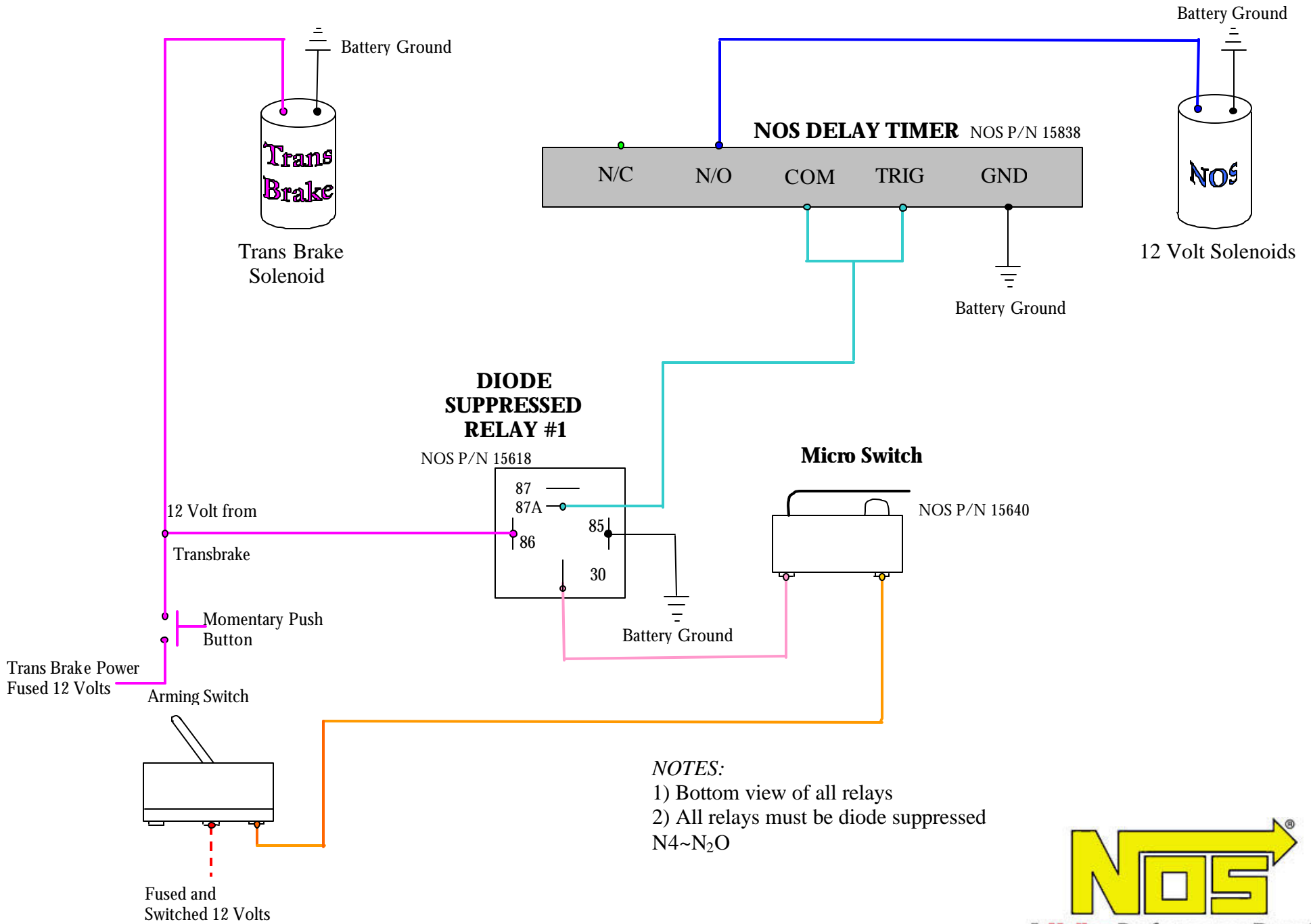


# WIRING DIAGRAM FOR N<sub>2</sub>O WITH TRANSBRAKE



**NOTES:**  
 1) Bottom view of all relays  
 2) All relays must be diode suppressed  
 N4~N<sub>2</sub>O

